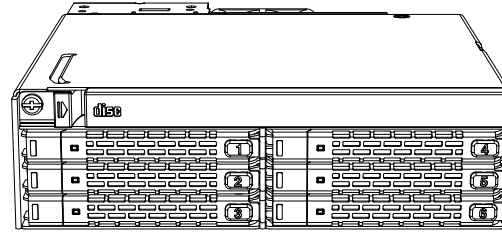
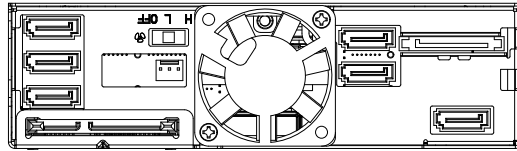
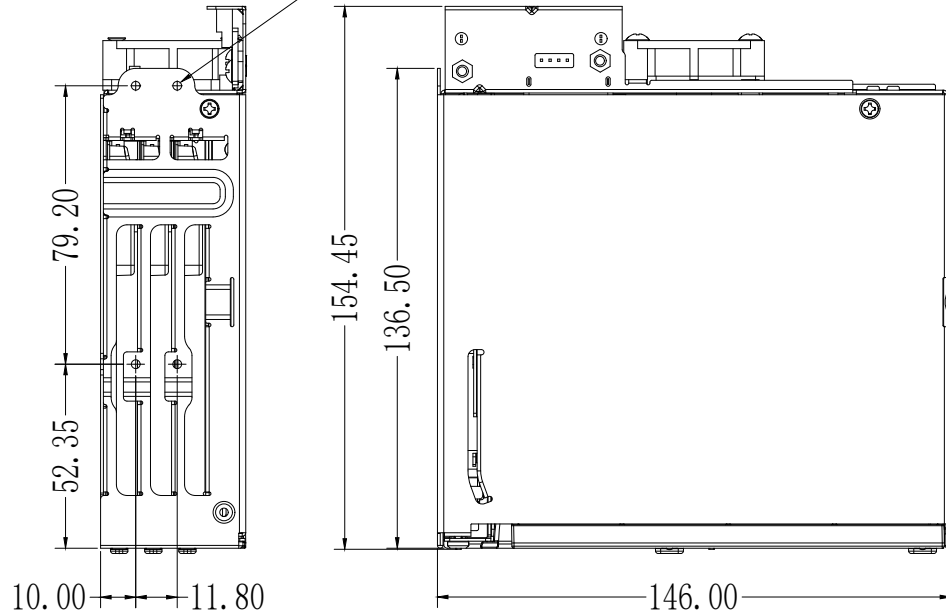


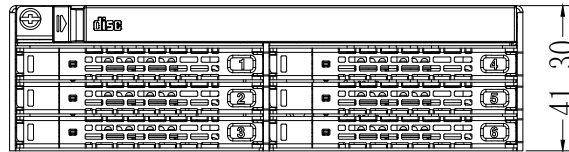
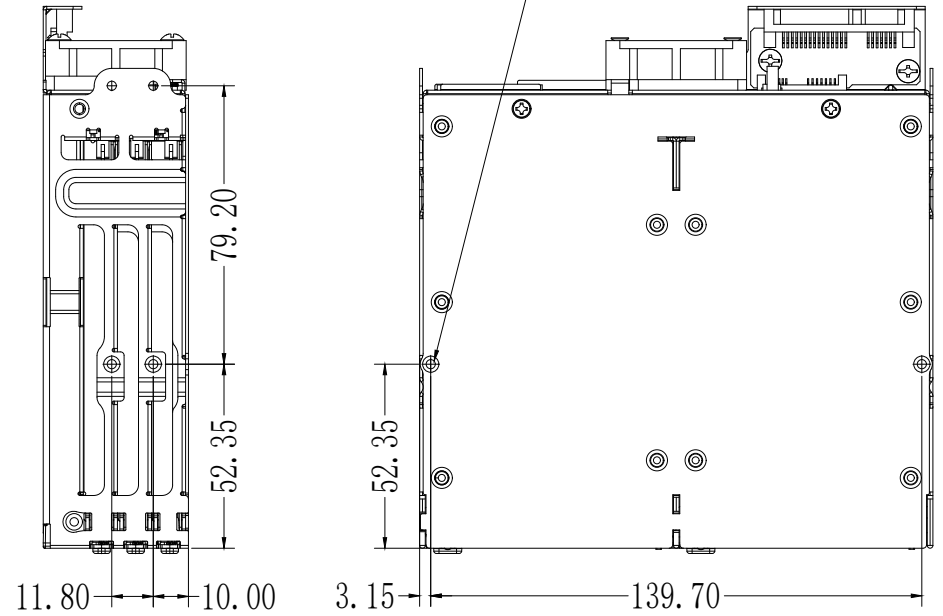
MARK	REVISED CONTENT	DATE	APPROVED
------	-----------------	------	----------



8-M3*2.5(Suggest screw size)



2-M3*2.5(Suggest screw size)



APPLIED MODEL

CREMAX TECH CO., LTD.

TITLE MB606SP0-B 全组立图		TOLERANCE 10mm以下 ±0.1 10-50mm ±0.15 50mm以上 ±0.2 X° ±0.5°	
DRAWN		DATE 2022/9/15	FINISHED
CHECKED	DATE	PART NO.	UNIT mm
APPROVED	DATE	DWG. NO.	SCALE 1:1 REV. 1.1
			SHEET 1 OF 1