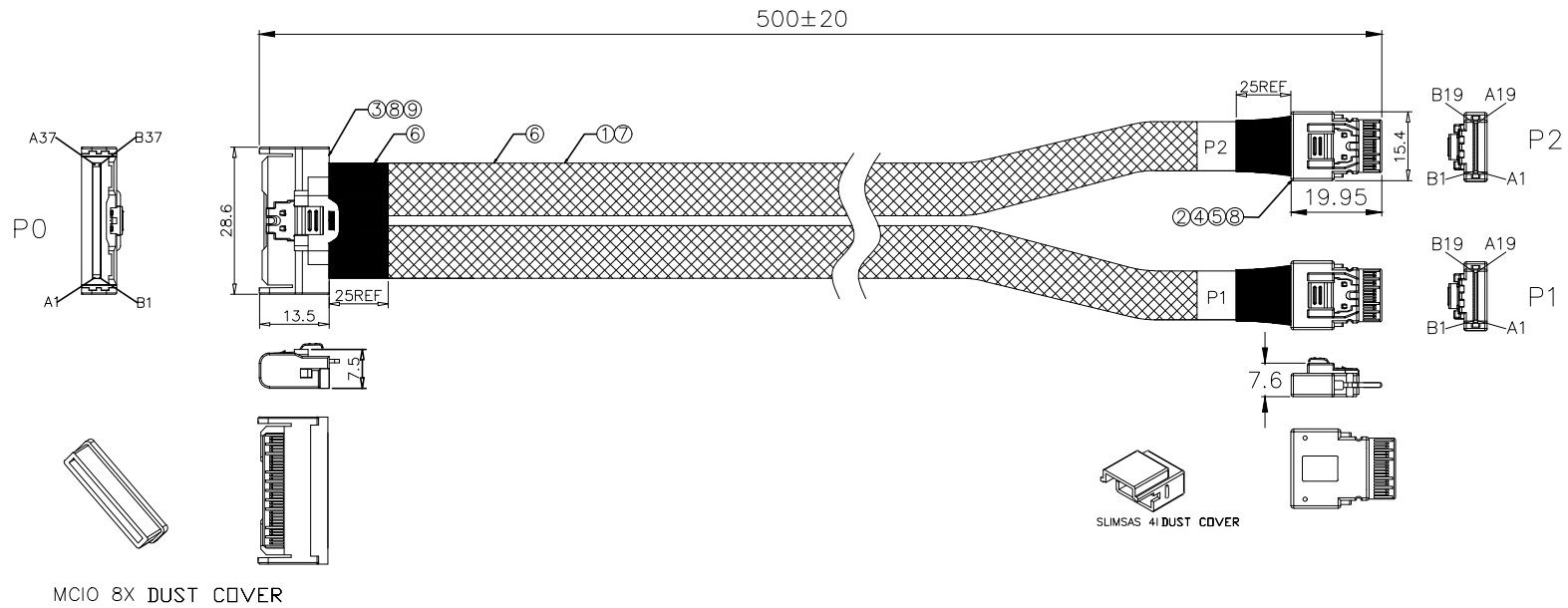
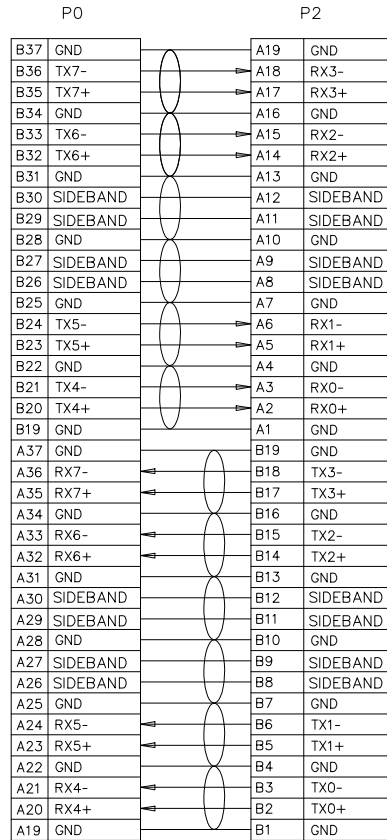
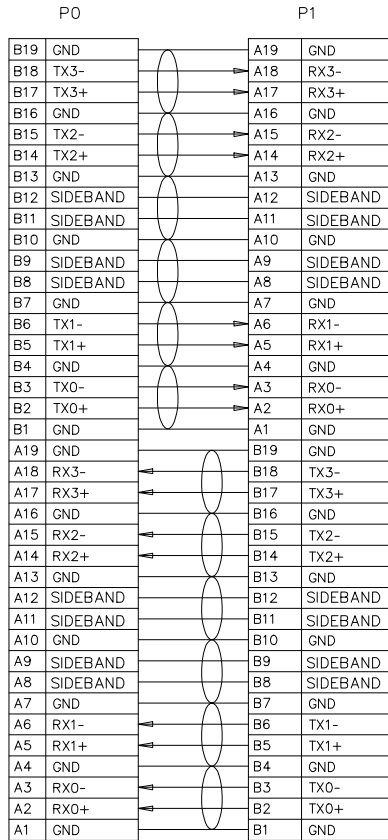


RoHS
compliant



9	HUDSING	AQ-3-MS64011	PA66+30%GF,BALCK	1	PCS
8	LATCH	AQ-3-MS21008	STAINLESS STEEL	3	pcs
7	EXPANDO	AQ-3-MS76001	PET BALCK DD: 10mm	A/R	mm
6	ACETATE TAPE	AQ-3-MS77001	ACETATE TAPE,BLACK	25	mm
5	MOLDING	AQ-3-GL100101	LDPE,NATURAL	A/R	9
4	MOLDING	AQ-3-GL100401	PBT+30GF% BLACK	A/R	9
3	PCBA	AQ-3-MS31027	MCIO 8I PCB, PIN:30u Au, 88±8 ohm	1	PCS
2	PCBA	AQ-3-MS31026	SLIMSAS 4I PCB, PIN:30u Au, 88±8 ohm	2	PCS
1	CABEL	AQ-3-MS40208	<30AWG*2C+2D>AL+MYLAR,DD:0.8*1.76MM,85±5 ohm	A/R	mm
NO.	PART NAME	PART NO.	SPEC DESCRIPTION	QT'Y	UNIT

RoHS
compliant



ELECTRICAL CHARACTER:

- a. 100% OPEN&SHORT TESTING;
- b. WITHSTANDING VOLTAGE:DC 300V 0.01Sec;
- c. INSULATION RESISTANCE:10M Ohm(Min);
- d. CONDUCTIVE RESISTANCE:2 Ohm(Max).